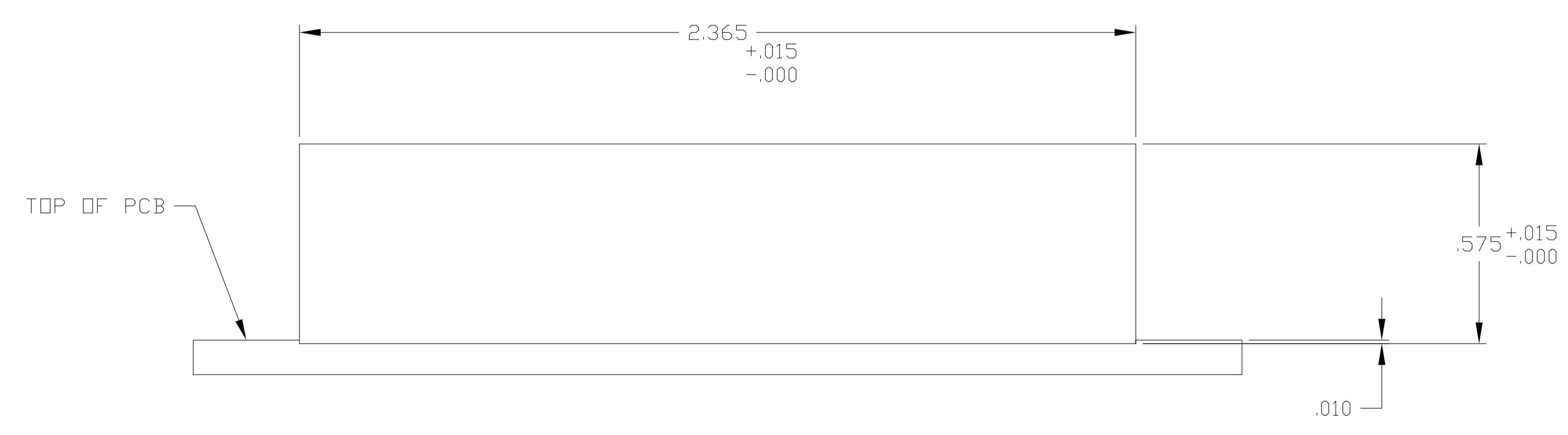
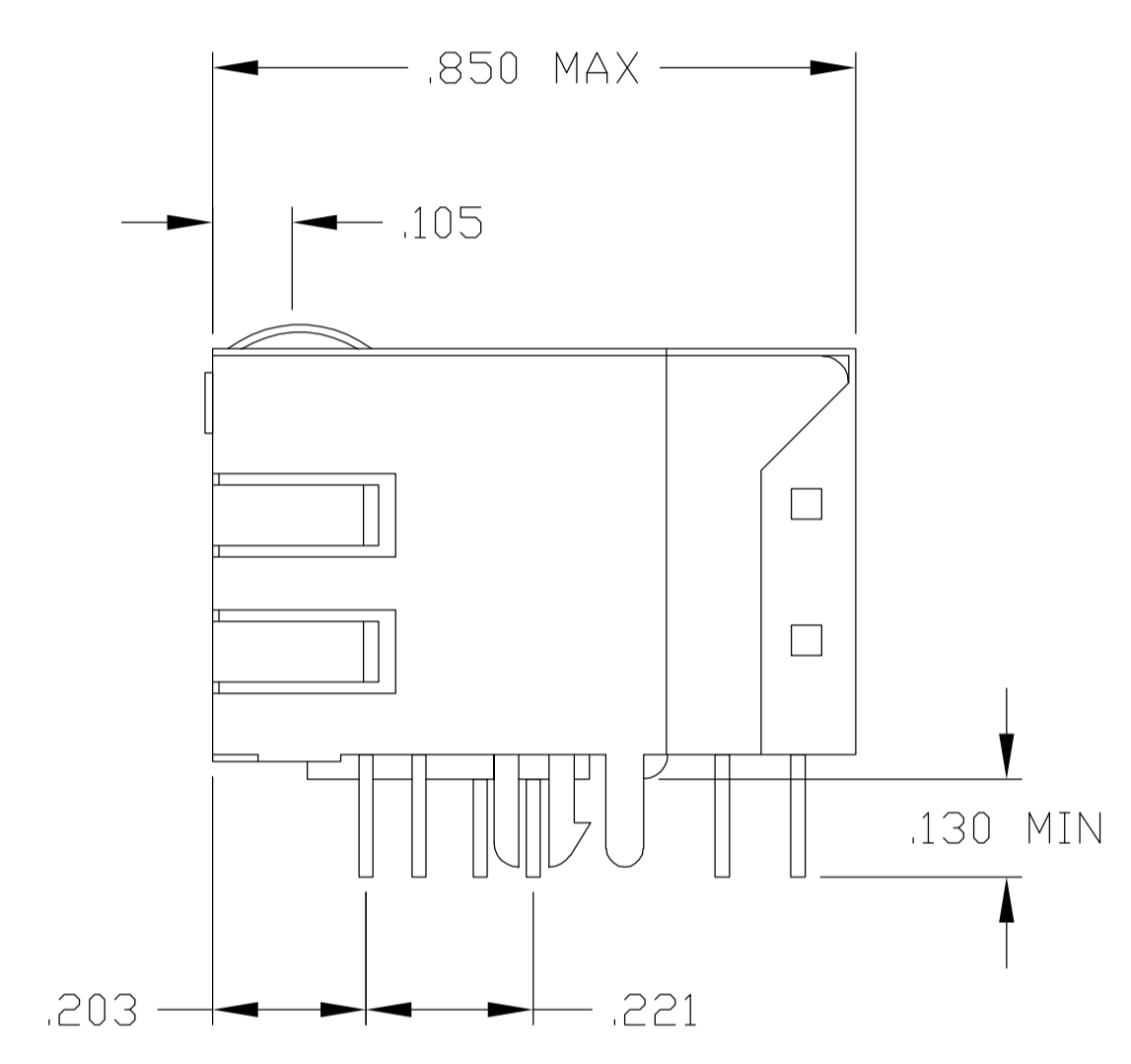
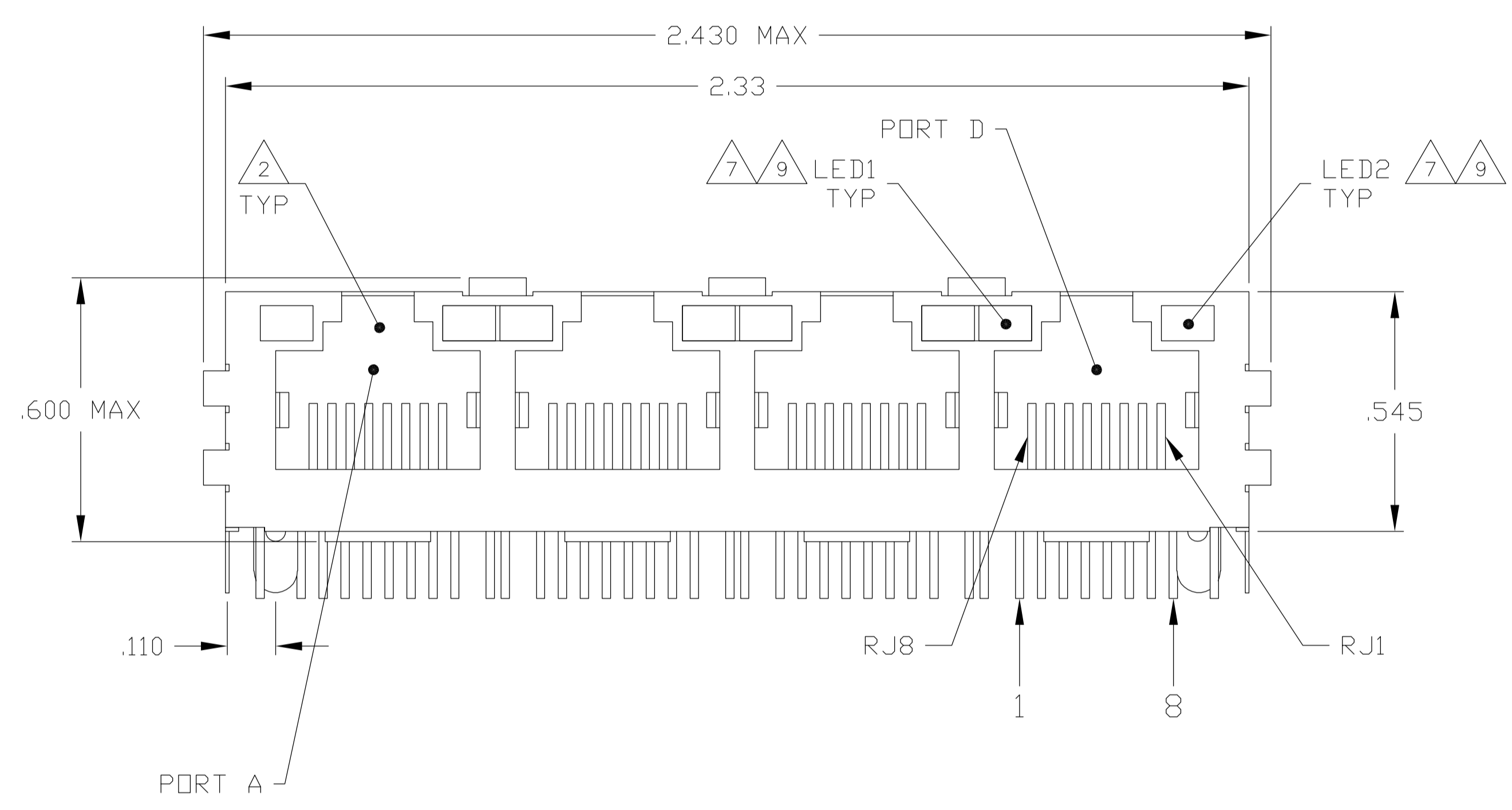
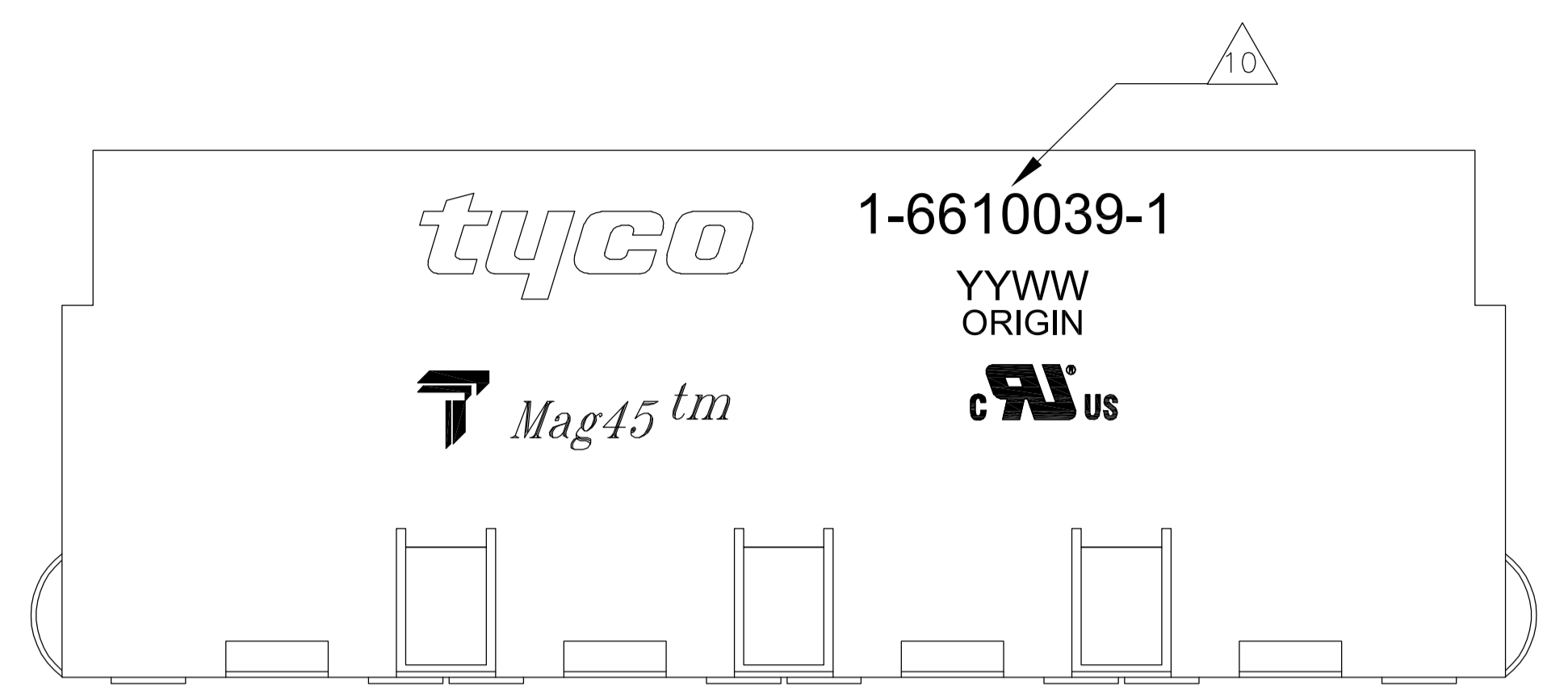


LOC		DIST		REVISIONS			
P	LTR	DESCRIPTION	DATE	DWN	APVD		
A	REV PER EC	OS13-0650-04	16MAR2005	LV	DF		

MECHANICAL:



1X4 SUGGESTED PANEL CUTOUT

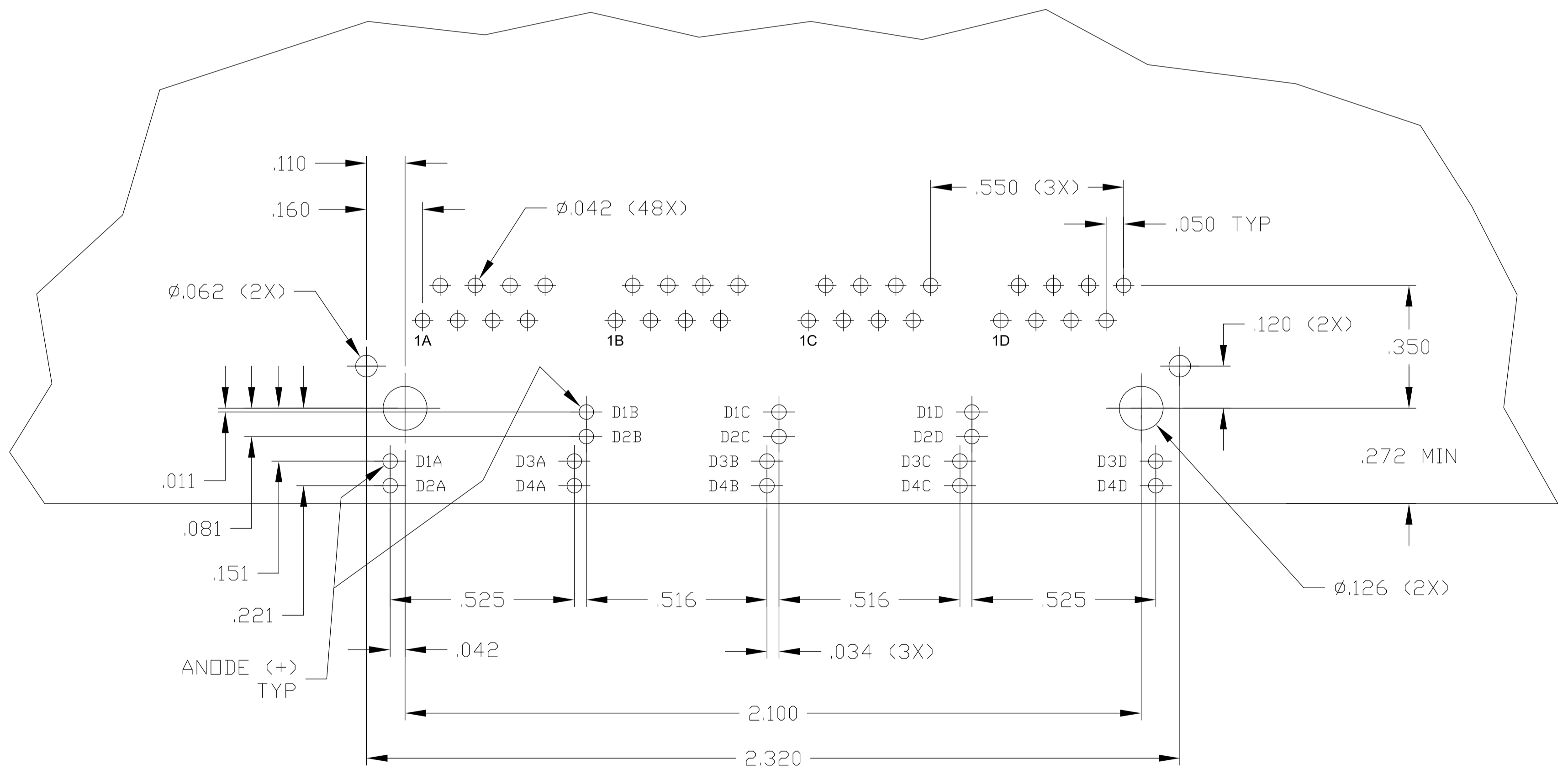
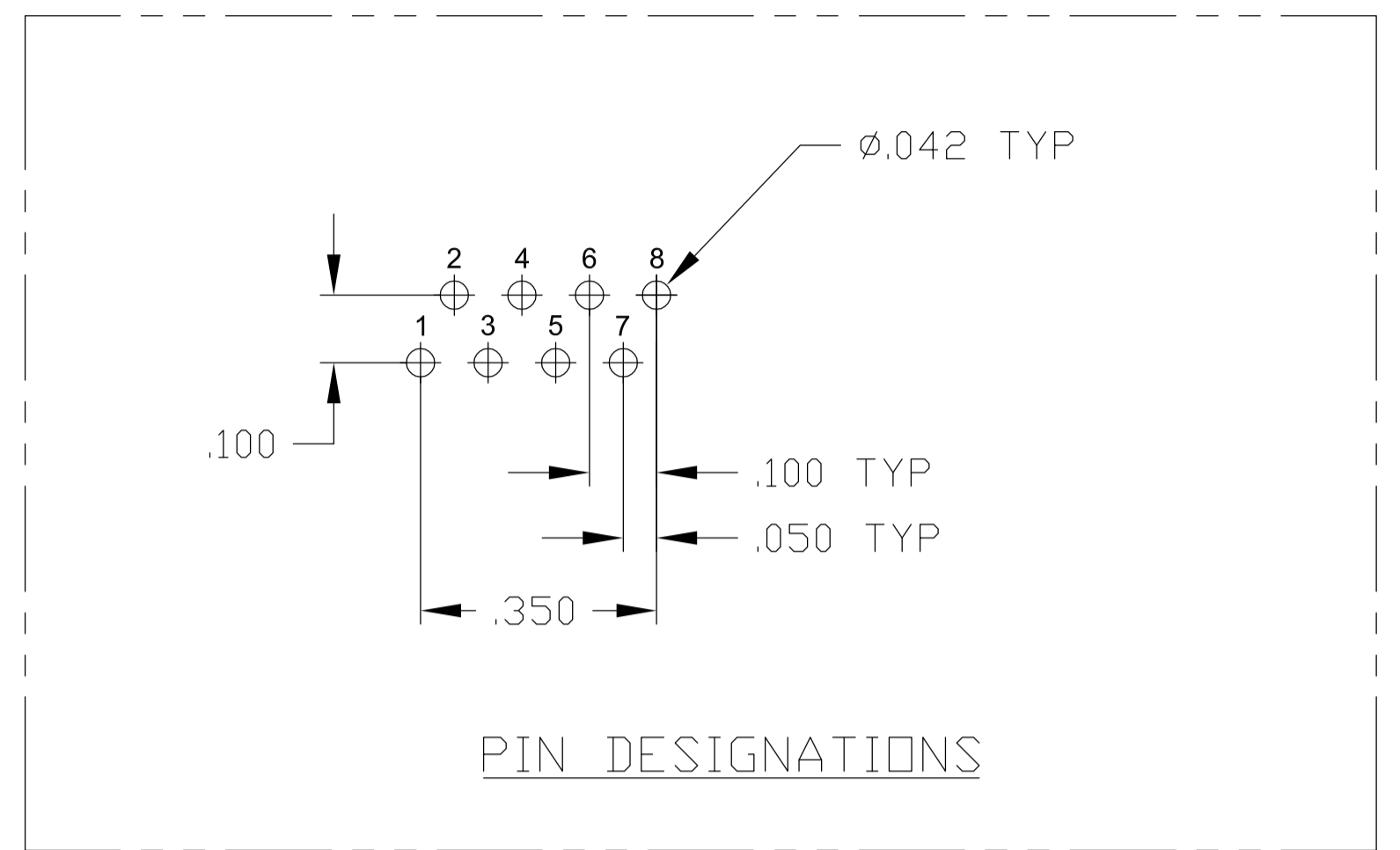
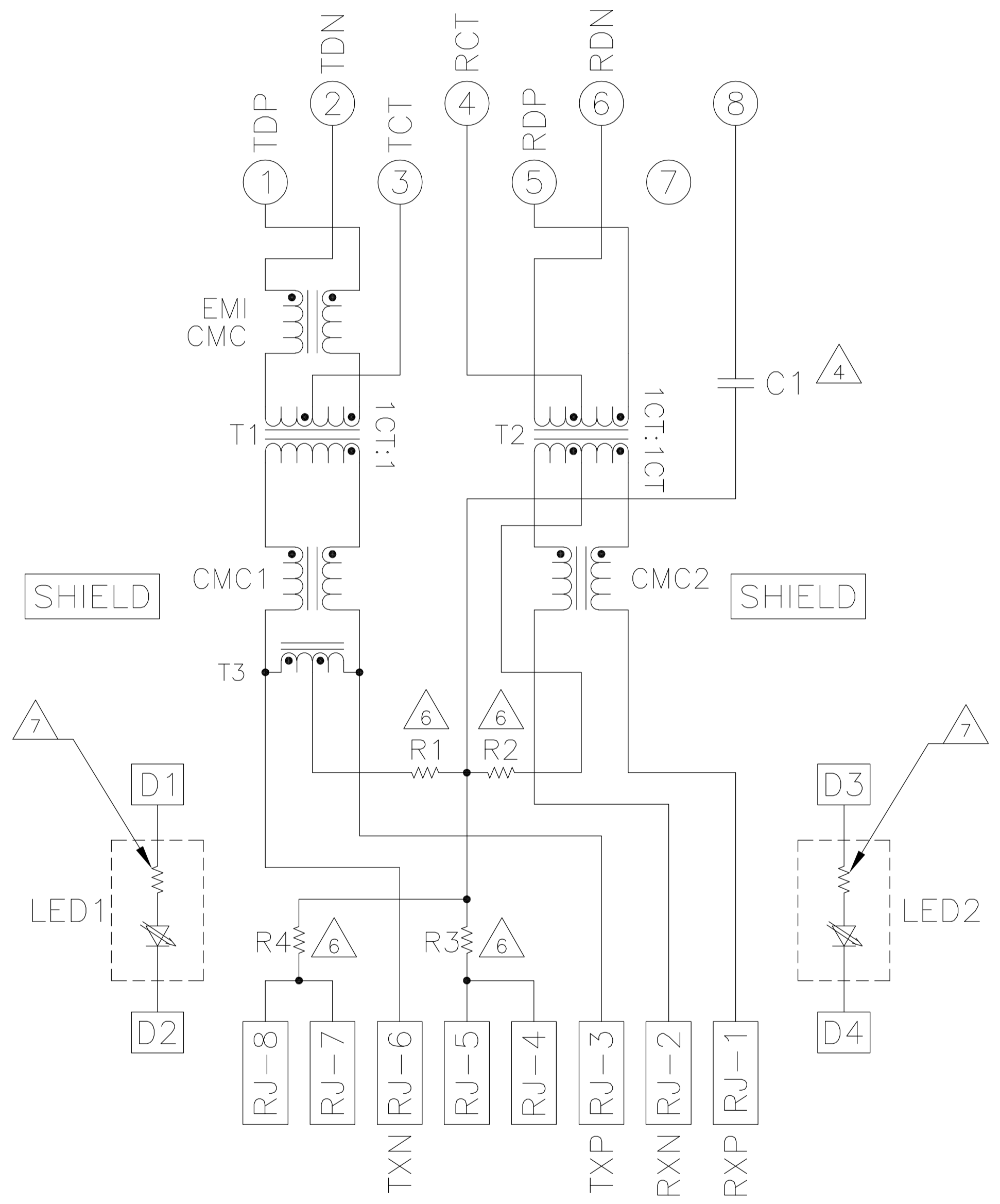
- 1 MATERIALS:
 -HOUSING - THERMOPLASTIC PET POLYESTER FLAMMABILITY RATING UL 94V-0.
 -SHIELD - .010" THICK, C26800 BRASS PREPLATED WITH 30μINCH MIN SEMI-BRIGHT NICKEL. SOLDER TABS POST DIPPED WITH 100μINCH MIN SAC SOLDER.
 -MOD JACK CONTACTS - 0.0157 X 0.018" PHOSPHOR BRONZE, 50μINCH MIN OVERALL NICKEL UNDERPLATE WITH SELECT 50μINCH MIN HARD GOLD FINISH PLATE. SOLDER TAILS WITH 100μINCH MIN MATTE TIN AND/OR SAC SOLDER DIP.
 -LIGHT EMITTING DIODE(LED) - DIFFUSED EPOXY LENS, .020" X .020" (CARBON STEEL WIREFRAME LEADS PRE-PLATED WITH 80μINCH SILVER OVER 40μINCH NICKEL UNDERPLATE OVER 40μINCH COPPER UNDERPLATE. POST-PLATED WITH 100μINCH MIN MATTE TIN AND/OR SAC SOLDER DIP OR PURE TIN SOLDER DIP.
- 2 RJ45 JACK CAVITY CONFORMS TO FCC RULES AND REGULATIONS PART 68, SUB PART F.
- 3 MAGNETICS
 -IMPEDANCE: 100 OHMS
 -TURNS RATIO (CHIP CABLE): TX = 1:1, RX = 1:1
 -OPEN CIRCUIT INDUCTANCE (OCL): 350μH MIN @100kHz, 0.1VRMS, 8mA DC BIAS FROM 0°C TO 70°C, TX AND RX
 -PERFORMANCE @ 25°C:
 INSERTION LOSS (IL): 1.1dB MAX FROM 0.5MHz TO 100MHz
 RETURN LOSS (RL): 18dB MIN FROM 0.5MHz TO 30MHz
 18-20LOG(f/30)dB MIN FROM 30.1MHz TO 60MHz
 12dB MIN FROM 60.1MHz TO 80MHz
 CROSSTALK ATTENUATION: 35dB MIN FROM 0.5MHz TO 40MHz
 33-20*LOG(f/50)dB MIN FROM 40.1MHz TO 100MHz
 COMMON MODE REJECTION RATIO (CMRR): 30dB MIN FROM 0.5MHz TO 100MHz
 -ISOLATION VOLTAGE: COMPLIES WITH IEEE802.3 2002, PARA 23.5.1.1, ITEM a or b.
- 4 C1 IS AN OPTIONAL 1000 pF, 2KV DECOUPLING CAPACITOR. IF NO CAPACITOR, TRACE IS CONTINUOUS. SEE TABLE FOR PRESENCE OF CAPACITOR IN DIFFERENT CONFIGURATIONS.
- 5. OPERATING TEMPERATURE: FROM 0°C TO +70°C.
- 6 R1-R4 = 75 OHMS, 1/16 W, 5%.
- 7 LED COMPLIANT WITH IEC60825-1 SAFETY OF LASER PRODUCTS. WHEN OPERATED UP TO 20 mA, THE 250 OHM RESISTOR IS INCLUDED.
- 8 INDICATED CONNECTIONS ARE FOR HUB CONFIGURATION. THE MAGNETICS ARE ASYMMETRICAL, AND DO NOT SUPPORT AUTO-MDI/MDIX.
- 9 LED PEAK WAVELENGTH GREEN(g) = 565nm
 YELLOW(y) = 585nm.
- 10 TRADEMARK, PART NUMBER, DATE CODE, COUNTRY OF ORIGIN AND AGENCY APPROVAL MARKING IN APPROXIMATE LOCATION SHOWN.

YES	GREEN	YELLOW	5-6610039-1
NO	GREEN	GREEN	1-6610039-1
DECOUPLING CAPACITOR 4	LED1	LED2	PART NUMBER

THIS DRAWING IS A CONTROLLED DOCUMENT.

DWN L. VARELA - 16MAR2005	16MAR2005	tyco Electronics	Tyco Electronics Corporation Harrisburg, PA 17105-3608
CHK D. FAROLE - 16MAR2005	16MAR2005		
APRD D. FAROLE	16MAR2005	NAME	1X4 MAG45(TM) MODULAR JACK, 7H2 SCHEMATIC, 57 SERIES CIRCUIT, SHIELDED, WITH RESISTOR LEADS
PRODUCT SPEC 108-2100		SIZE	CAGE CODE DRAWING NO A1 00779 ©=6610039
APPLICATION SPEC		RESTRICTED TO	-
MATERIAL 1	FINISH 1	WEIGHT	-
CUSTOMER DRAWING		SCALE	4:1
		SHEET	1 OF 2
		REV	A

757 SERIES MAGNETIC CIRCUIT 3 8



SUGGESTED PCB LAYOUT
(Component Side)

THIS DRAWING IS A CONTROLLED DOCUMENT.		DWN L. VARELA - 16MAR2005		Tyco Electronics Corporation Harrisburg, PA 17105-3608
DIMENSIONS: INCHES		CHK D. FAROLE - 16MAR2005		NAME
TOLERANCES UNLESS OTHERWISE SPECIFIED:		APRD D. FAROLE - 16MAR2005	PRODUCT SPEC	108-2100
0 PLC ± -		APPLICATION SPEC	SIZE	A1
1 PLC ± -		RESTRICTED TO	CAGE CODE	00779
2 PLC ± .010		SCALE	DRAWING NO	6610039
3 PLC ± .005		WEIGHT	REV	A
4 PLC ± -		CUSTOMER DRAWING	SCALE	4:1
ANGLES ± -		FINISH	SHEET	2 OF 2